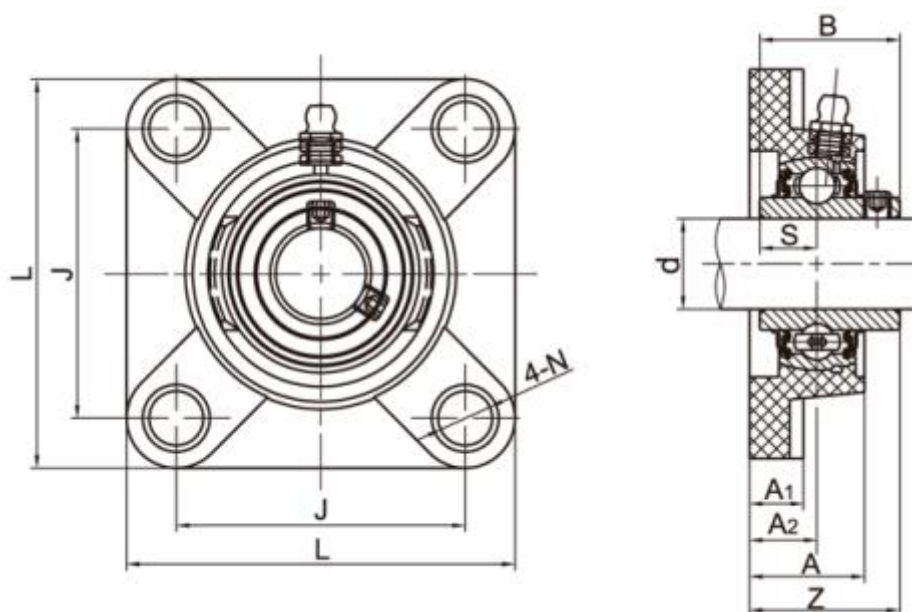


Article number: 54810632021

Description: 4 hole Flange Unit TP-SUCF202 for shaft  $\varnothing 15\text{mm}$   
Insert stainless steel, housing Thermoplastic black

## Measures



|            |          |
|------------|----------|
| A = 27.8   | N = 11   |
| A1 = 13.4  | S = 12.7 |
| A2 = 18    | Z = 36.3 |
| B = 31     |          |
| Bolt = M10 |          |
| d = 15     |          |
| J = 63.5   |          |
| L = 86     |          |